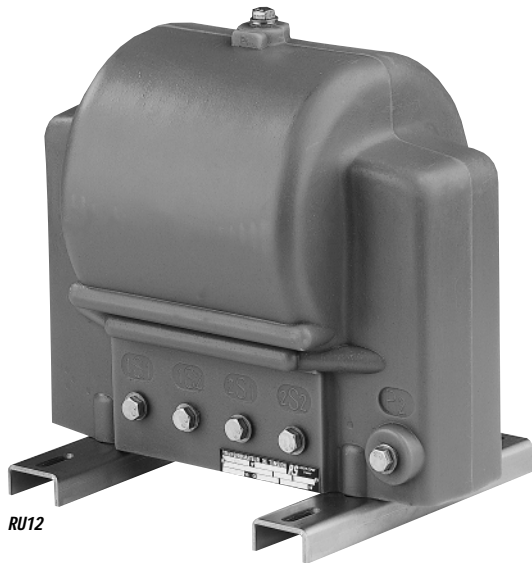
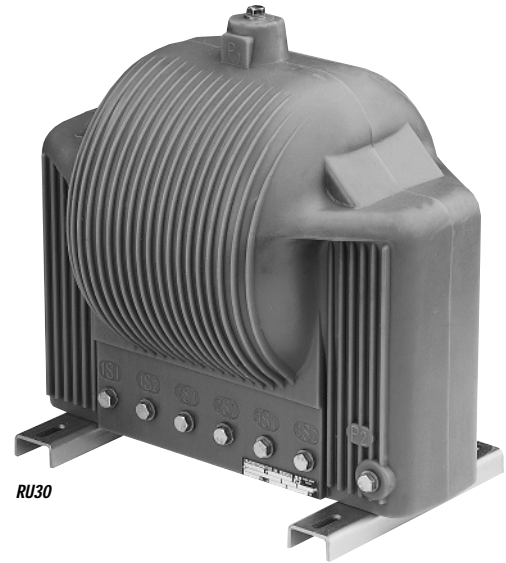


# SINGLE PHASE 1-POLE VOLTAGE TRANSFORMERS - RU SERIES



RU12



RU30

- **Indoor**
- **3.6 - 7.2 - 12 - 17.5 - 24 - 36 - 52 kV**
- **Primary voltage up to 50000:  $\sqrt{3}$  V**

Single pole voltage transformer vacuum moulded in self extinguishing epoxy resin for the measurement of AC voltages between phase and earth up to 50000:  $\sqrt{3}$  V. This range is also suitable for the power supply of auxiliaries up to 5000 VA.

## Technical data

Rated insulation level	3.6/16/45 kV to 52/95/250 kV
Primary voltage $U_{pn}$	Up to 50000: $\sqrt{3}$ V
Secondary voltage $U_{sn}$	100: $\sqrt{3}$ - 110: $\sqrt{3}$ V
Frequency	50 ou 60 Hz
Rated output	Up to 200VA cI0.2 - 500VA cI0.5 - 1000VA cI1
Accuracy class	0.1 - 0.2 - 0.5 - 1 - 3 - 3P - 6P
Voltage factor	1.9 $U_{pn}$ 30s
Thermal limiting output	Up to 5000 VA
Insulation class	A
Ambient temperature	-40 °C to + 70 °C
Standards	CEI 60044-2 - NF C42501 - VDE 0414 - BS 3941

## Other characteristics on request

Secondary voltage $U_{sn}$	24: $\sqrt{3}$ to 380: $\sqrt{3}$ V
Voltage factor	1.9 $U_{pn}$ 8h
Ambient temperature	Up to +110 °C
Secondary windings	Up to 3 secondary windings
Residual voltage winding	100:3 V 50VA cI3 - Delta connection on a 68.1 $\Omega$ or 150W resistor
Standards	ANSI C57.13 - CAN3 C13 - AS 1675

# SINGLE PHASE 1-POLE VOLTAGE TRANSFORMERS - RU SERIES

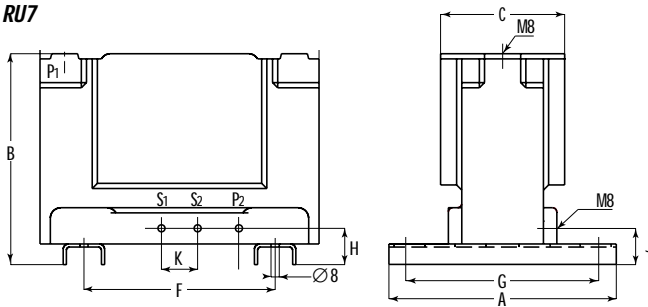
## Selection table

Type	Un kV	Up kV	Rated output maximum VA			Thermal output VA
			cl 0.5	cl 1	cl 3	
RU7	7.2/20/60	Up to 6.6: $\sqrt{3}$	60	100	150	Up to 300
RU10	12/28/75	Up to 11: $\sqrt{3}$	60	100	150	Up to 300
RU12	24/50/125	Up to 22: $\sqrt{3}$	100	200	600	Up to 1000
RU15	24/50/125	Up to 22: $\sqrt{3}$	200	300	1000	Up to 1500
RU30	36/70/170	Up to 35: $\sqrt{3}$	150	300	1000	Up to 2500
RU26	36/70/170	Up to 35: $\sqrt{3}$	500	1000	2000	Up to 5000
RU45	52/95/250	Up to 50: $\sqrt{3}$	100	150	500	Up to 4000

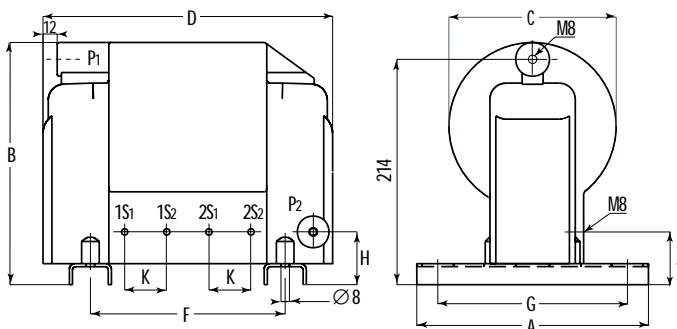
## Dimensions

Type	Weight kg	A mm	B mm	C mm	D mm	F mm	G mm	H mm	J mm	K mm
RU7	16	220	205	120	270	185	180	33	33	35
RU10	16	220	231	159	275	185	180	50	50	40
RU12	27	220	285	186	300	190	180	50	50	40
RU15	34	220	300	210	350	300	180	58	50	40
RU30	49	220	370	260	378	280	180	50	50	40
RU26	90	236	415	265	417	305	200	50	50	40
RU45	90	220	535	300	450	325	180	80	50	40

### RU7



### RU10



### RU12...RU45

