

# BAR PRIMARY CURRENT TRANSFORMERS TA SERIES



- **Primary current from 100 to 8000 A**
- **For busbar up to 4 bars 160 x 5 mm**
- **Insulation 0.75/4 kV**
- **Measurement and protection**
- **Compact size**

Moulded case current transformers for the measurement of AC currents from 100A to 8000A.

They are made of a non-flammable plastic material and have heavy insulation. This comprehensive and compact range fits most busbars, from 30mm to 160mm.

### Technical data

Highest voltage for equipment	750 V
Power-frequency withstand voltage	4000 V
Primary current I <sub>pn</sub>	100 to 8000 A
Secondary current I <sub>sn</sub>	5 or 1 A
Frequency	50 or 60 Hz
Rated output	1 to 60 VA
Accuracy class	0.5 - 1 - 3
Security factor	< 5
Continuous thermal current	1.2 I <sub>pn</sub>
Short-time thermal current I <sub>th</sub>	80 I <sub>pn</sub> .1s
Dynamic current I <sub>dyn</sub>	2.5 I <sub>th</sub>
Insulation class	E
Ambient temperature	-25 °C - +40 °C
Case	Thermoplastic UL94 V0 or V1 or Bakelite
Standards	CEI 44-1 - NF C42502 - VDE 0414 - BS 7626

### Other characteristics on request

Highest voltage for equipment	Up to 2400 V
Power-frequency withstand voltage	Up to 11 kV
Secondary current I <sub>sn</sub>	0.005 to 10 A
Frequency	1 to 10000 Hz
Accuracy class	0.1 - 0.2 - 0.2S - 0.5S - 5P - 10P - cIX
Accuracy limit factor	5 - 10 - 15 - 20 - 30
Multi-ratio	
Multiple cores	Up to 3 cores
Ambient temperature	-40 °C to +70 °C
Standards	ANSI C57.13 - CAN3 C13 - AS 1675

### Accessories / Options

Mounting brackets	EN type
Sealable terminal cover	
S1 S2 terminals on the longer side	
Tropicalization	

# BAR PRIMARY CURRENT TRANSFORMERS - TA SERIES

## Selection table

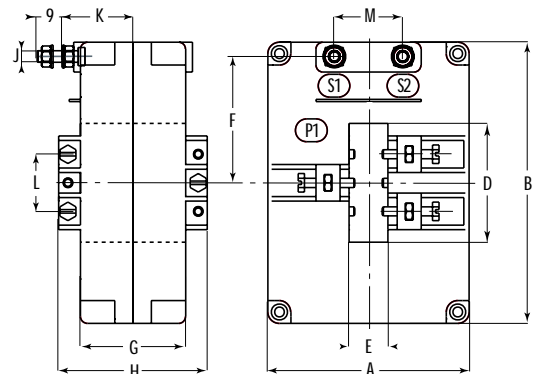
Ip A	Type	Output maximum VA		
		cl 3	cl 1	cl 0.5
100	TA30	10	1.25	-
	TA201	5	1.25	-
	TA301	10	1.25	-
	TA401	15	2.5	-
	TA321	10	2.5	-
	TA231	5	1.25	-
	TA34	10	1.25	-
125	TA30	15	5	-
	TA201	7.5	2.5	-
	TA301	15	5	-
	TA401	20	2.5	-
	TA321	10	3.75	-
	TA231	7.5	2.5	-
	TA34	10	3.75	1.25
150	TA30	20	10	-
	TA201	10	3.75	-
	TA301	15	5	-
	TA401	20	7.5	2.5
	TA321	20	7.5	1.25
	TA231	10	3.75	-
	TA34	15	5	2.5
200	TA30	20	10	5
	TA201	15	5	2.5
	TA301	20	10	5
	TA401	30	20	7.5
	TA321	20	10	5
	TA231	15	7.5	3.75
	TA34	20	10	5
250	TA30	30	15	7.5
	TA201	20	10	5
	TA301	30	20	10
	TA401	45	20	10
	TA321	30	20	7.5
	TA231	15	10	5
	TA34	30	10	5
300	TA30	30	20	10
	TA201	20	15	7.5
	TA301	30	20	15
	TA401	60	45	15
	TA321	30	15	10
	TA231	20	15	5
	TA34	30	20	10
400	TA30	45	30	20
	TA201	20	15	10
	TA301	45	30	20
	TA401	60	30	30
	TA316	60	30	30
	TA321	45	30	15
	TA231	20	15	5
TA34	45	20	15	
500	TA30	60	45	30
	TA201	30	20	15
	TA301	60	45	30
	TA401	60	45	30
	TA316	60	45	30
	TA321	45	30	20
	TA231	30	20	15
600	TA30	60	45	30
	TA201	30	20	20
	TA301	60	45	30
	TA401	60	45	30
	TA316	60	45	30
	TA321	60	45	30
	TA231	30	20	15
750 or 800	TA30	60	45	30
	TA201	45	30	20
	TA301	60	60	45
	TA401	60	60	45
	TA316	60	60	45
	TA321	60	45	30
	TA231	45	30	20
1000	TA30	60	60	45
	TA201	45	30	20
	TA301	60	60	45
	TA401	60	60	60
	TA316	60	60	60
	TA321	60	45	45
	TA231	45	30	20
1250	TA30	60	60	45
	TA201	45	30	30
	TA301	60	60	45
	TA401	60	60	60
	TA316	60	60	60
	TA321	60	60	45
	TA231	45	30	30
1500 or 1750	TA30	60	60	45
	TA201	45	30	20
	TA301	60	60	45
	TA401	60	60	60
	TA316	60	60	60
	TA321	60	60	45
	TA231	45	30	30
2000	TA30	60	60	60
	TA201	45	30	20
	TA301	60	60	45
	TA401	60	60	60
	TA316	60	60	60
	TA321	60	60	45
	TA231	45	30	30
2500	TA30	60	60	45
	TA201	45	30	30
	TA301	60	60	45
	TA401	60	60	60
	TA316	60	60	60
	TA321	60	60	45
	TA231	45	30	30
3000	TA30	60	60	60
	TA201	45	30	30
	TA301	60	60	45
	TA401	60	60	60
	TA316	60	60	60
	TA321	60	60	45
	TA231	45	30	30
4000	TA30	60	60	60
	TA201	45	30	30
	TA301	60	60	60
	TA401	60	60	60
	TA316	60	60	60
	TA321	60	60	45
	TA231	45	30	30
5000	TA30	60	60	60
	TA201	45	30	30
	TA301	60	60	60
	TA401	60	60	60
	TA316	60	60	60
	TA321	60	60	45
	TA231	45	30	30
6000	TA30	60	60	60
	TA201	45	30	30
	TA301	60	60	60
	TA401	60	60	60
	TA316	60	60	60
	TA321	60	60	45
	TA231	45	30	30
7500 or 8000	TA30	60	60	60
	TA201	45	30	30
	TA301	60	60	60
	TA401	60	60	60
	TA316	60	60	60
	TA321	60	60	45
	TA231	45	30	30

Ip A	Type	Output maximum VA		
		cl 3	cl 1	cl 0.5
1000	TA30	60	60	45
	TA201	45	30	20
	TA301	60	60	45
	TA401	60	60	60
	TA316	60	60	60
	TA321	60	45	45
	TA231	45	30	20
1250	TA30	60	60	45
	TA201	45	30	30
	TA301	60	60	45
	TA401	60	60	60
	TA316	60	60	60
	TA321	60	60	45
	TA231	45	30	30
1500 or 1750	TA30	60	60	45
	TA201	45	30	20
	TA301	60	60	45
	TA401	60	60	60
	TA316	60	60	60
	TA321	60	60	45
	TA231	45	30	30
2000	TA30	60	60	60
	TA201	45	30	20
	TA301	60	60	45
	TA401	60	60	60
	TA316	60	60	60
	TA321	60	60	45
	TA231	45	30	30
2500	TA30	60	60	45
	TA201	45	30	30
	TA301	60	60	45
	TA401	60	60	60
	TA316	60	60	60
	TA321	60	60	45
	TA231	45	30	30
3000	TA30	60	60	60
	TA201	45	30	30
	TA301	60	60	45
	TA401	60	60	60
	TA316	60	60	60
	TA321	60	60	45
	TA231	45	30	30
4000	TA30	60	60	60
	TA201	45	30	30
	TA301	60	60	60
	TA401	60	60	60
	TA316	60	60	60
	TA321	60	60	45
	TA231	45	30	30
5000	TA30	60	60	60
	TA201	45	30	30
	TA301	60	60	60
	TA401	60	60	60
	TA316	60	60	60
	TA321	60	60	45
	TA231	45	30	30
6000	TA30	60	60	60
	TA201	45	30	30
	TA301	60	60	60
	TA401	60	60	60
	TA316	60	60	60
	TA321	60	60	45
	TA231	45	30	30
7500 or 8000	TA30	60	60	60
	TA201	45	30	30
	TA301	60	60	60
	TA401	60	60	60
	TA316	60	60	60
	TA321	60	60	45
	TA231	45	30	30

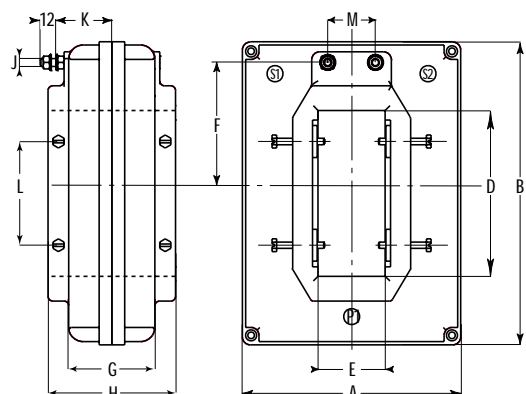
## Dimensions

Busbar	Type	A	B	D	E	F	G	H	J	K	L	M
		mm	mm	mm	mm	mm	mm	mm	mm	mm	mm	mm
1 to 2 bars 50 x 5	TA30	88	123	52	17	55	46	65	M 5	30	25	30
1 to 2 bars 63 x 5	TA201	70	118	65	17	52	35	54	M 5	23	25	30
1 to 2 bars 63 x 5	TA301	88	123	65	20	55	46	65	M 5	30	25	30
2 bars 63 x 10	TA401	109	140	67	37	54	58	82	M 5	36	25	20
3 bars 63 x 10	TA316	155	155	65	65	62	54	80	M 5	36	40	30
1 to 2 bars 80 x 5	TA321	87	144	85	20	63	48	72	M 5	34	50	20
1 to 3 bars 80 x 5	TA231	82	140	83	27	63	35	54	M 5	25	50	30
1 to 2 bars 100 x 5	TA32	92	169	105	21	73	48	72	M 5	34	65	20
1 to 3 bars 100 x 5	TA23	80	158	103	27	72	35	54	M 5	25	60	30
1 to 2 bars 100 x 10	TA24	97	164	103	38	75	40	59	M 5	28	60	30
1 to 2 bars 100 x 10	TA34	137	190	105	42	78	54	80	M 5	36	65	30
2 to 2 bars 100 x 10	TA36	156	199	105	62	80	60	88	M 5	38	65	30
2 to 2 bars 100 x 20	TA312	226	209	105	122	87	70	100	M 5	43	65	40
1 to 2 bars 125 x 10	TA28	100	190	127	38	88	40	59	M 5	30	80	30
1 to 3 bars 125 x 10	TA38	145	221	127	51	92	60	90	M 5	38	80	30
2 to 4 bars 160 x 5	TA44	142	266	165	42	119	60	90	M 5	41	120	30

### TA30 - TA201 - TA301 - TA321 - TA231 - TA23 - TA24 - TA28



### TA32 - TA34 - TA36 - TA38 - TA44 - TA312 - TA316 - TA401



## Installation

- Bar fastening screws must be tightened to 0.7Nm torque maximum.